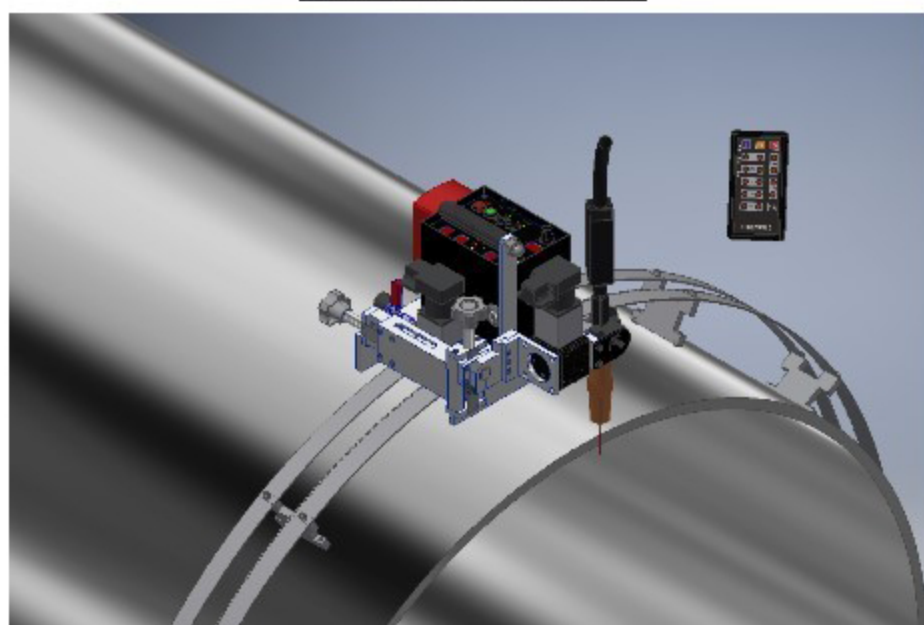


KW-MR5B[Battery]

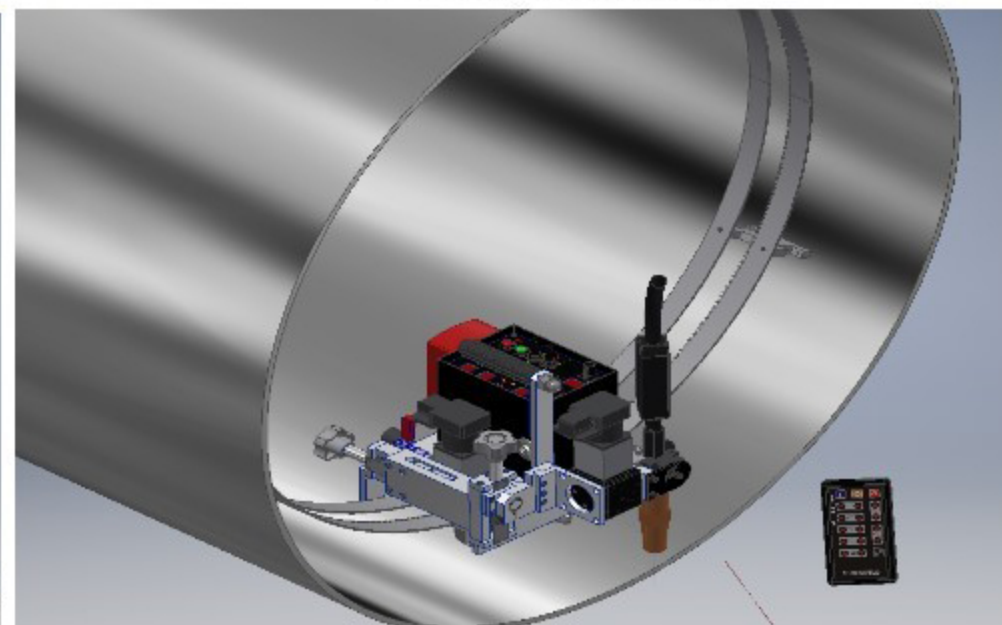
MULTI-WELDER FOR PIPE WELDING WITH WEAVER & BAND, INCL. REMOTE

APPEARANCE

OUTER WELDING



INNER WELDING



MAJOR PARTS	DESCRIPTIONS	SPECIFICATIONS	
General	Size in mm(WHL),Weight	Carriage: 226x363x242,7Kg	
	Input Power	Battery, Li-ion Bosch brand	18Vdc 4Ah, 6Hrs use 18Vdc 6Ah, 8Hrs use
Traveling unit	Motor	24Vdc,10W,5000rpm	
	Reducer	1:294	
	Speed	0~860mm/min	
	Power transmission	Rack-Pinion, Geared motor driven	
X-Y slide	X-slide stroke	0~45mm	
	Y-slide stroke	0~50mm	
	Rapid slide stroke	0~150mm	
Weaver	Power unit	24vdc, 12W, 5000rpm	
	Reducer	1:864	
	Speed	0~5rpm	
	Width	±16°	
	Left/Right stop	0~9.9sec dwell	
	Mode	— 	

PIPE BAND SPECIFICATIONS	NO	PIPE OD	BAND OD	BAND LENGTH(mm)
	300	∅318.5	∅500	1570.8
	350	∅355.6	∅500	1570.8
	400	∅406.4	∅580	1822.1
	450	∅457.2	∅580	1822.1
	500	∅508.0	∅630	1979.2
	530	∅530.0	∅630	1979.2
	600	∅609.6	∅780	2450.4
	800	∅812.2	∅980	3078.8
	1000	∅1016.0	∅1180	3707.1
	1500	∅1500	∅1650	5183.6
	1800	∅1800	∅1950	6126.1
2000	∅2000	∅2150	6754.4	

*Pipe O.D requires to design the pipe band shall be informed