

KW-FF2BH[Battery], FOR H & I-BEAM

FILLET WELDER FOR H-BEAM, FLOOR TRAVEL, DUAL TORCH, STITCH & CONTINUOUS
H-BEAM SIZE, 340 W X 310H

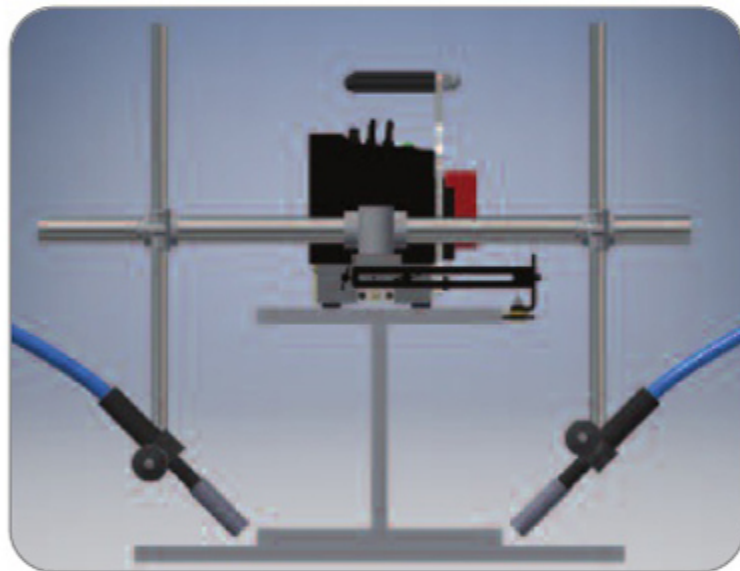
AT WORK SITE



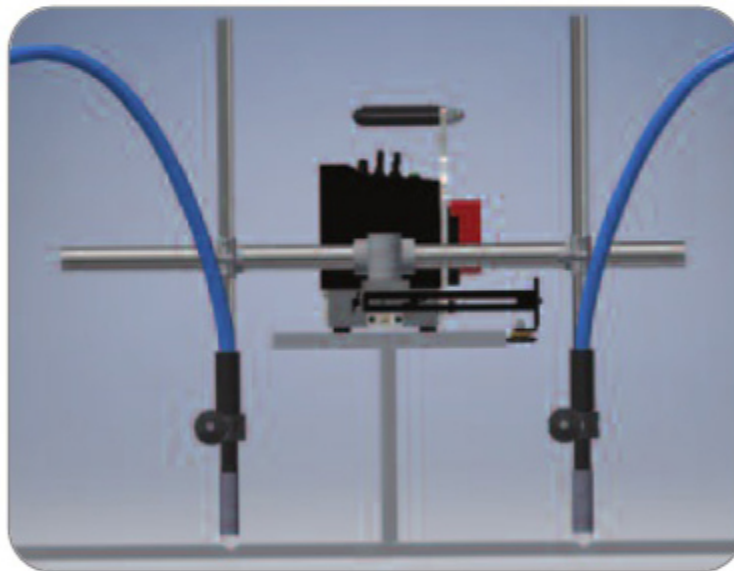
FEATURES

- Dual torch, Applying I or H-Beam Profile welding traveling on the top of the profile.
- Stitch or continuous welding
- X-Y slider helps setting torch widely
- Both mechanized & manual torches useful.
- Max pulling power 20kgf and Max. 30 degree climbable.
- Crate filling time at the beginning and ending of the welding can be controlled for 0~3 seconds.
- Travel speed in cm/min or inch/min programmable.
- Battery power, 18Vdc 4.0Ah lithium-ion, 8-10Hrs use

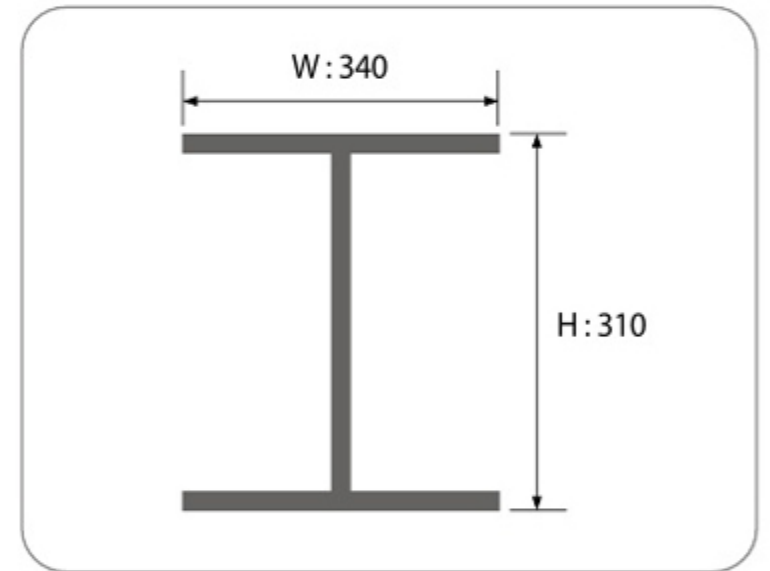
FILLET WELDING



BUTT WELDING



WORK PIECE



MAJOR PARTS	DESCRIPTIONS	SPECIFICATIONS
General	Size in mm(WHL), Weight	Carriage: 800 x 280 x 660, 10.5Kg
	Input source	Lithium-ion Battery 18Vdc 4.0Ah 8-10Hrs use
Traveling Unit	Motor	24Vdc, 10W, 5,000rpm
	Reducer	1:624
	Speed	0~860mm/min
	Power transmission	4 wheels chain driven
	Travel	Guide roller travels along to the flange of profile
X-Y slide	X-slide stroke	0~300mm
	Y-slide stroke	0~400mm